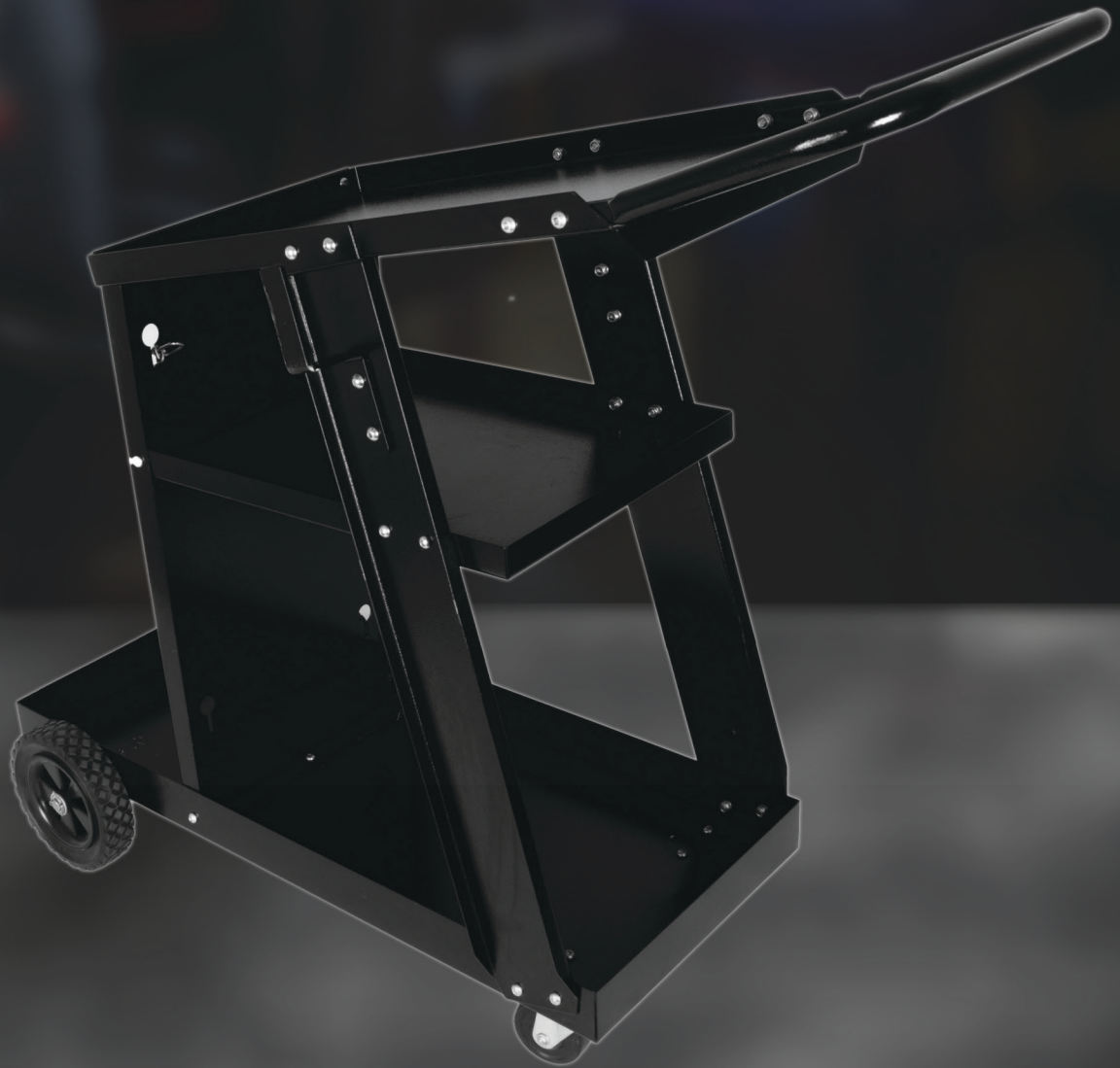


# WELDING TROLLEY

Welding trolley suitable for portable welding machines.

XA-TR165-190



**XA**  
XCEL-ARC

Please read and understand this instruction manual carefully  
before the installation and operation of this equipment.

© Xcel-Arc 2026

# CONTENTS



TROLLEY LAYOUT.....	3
PARTS LIST.....	4
INSTRUCTIONS.....	5

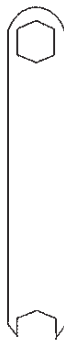




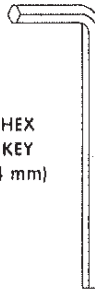
# PARTS LIST



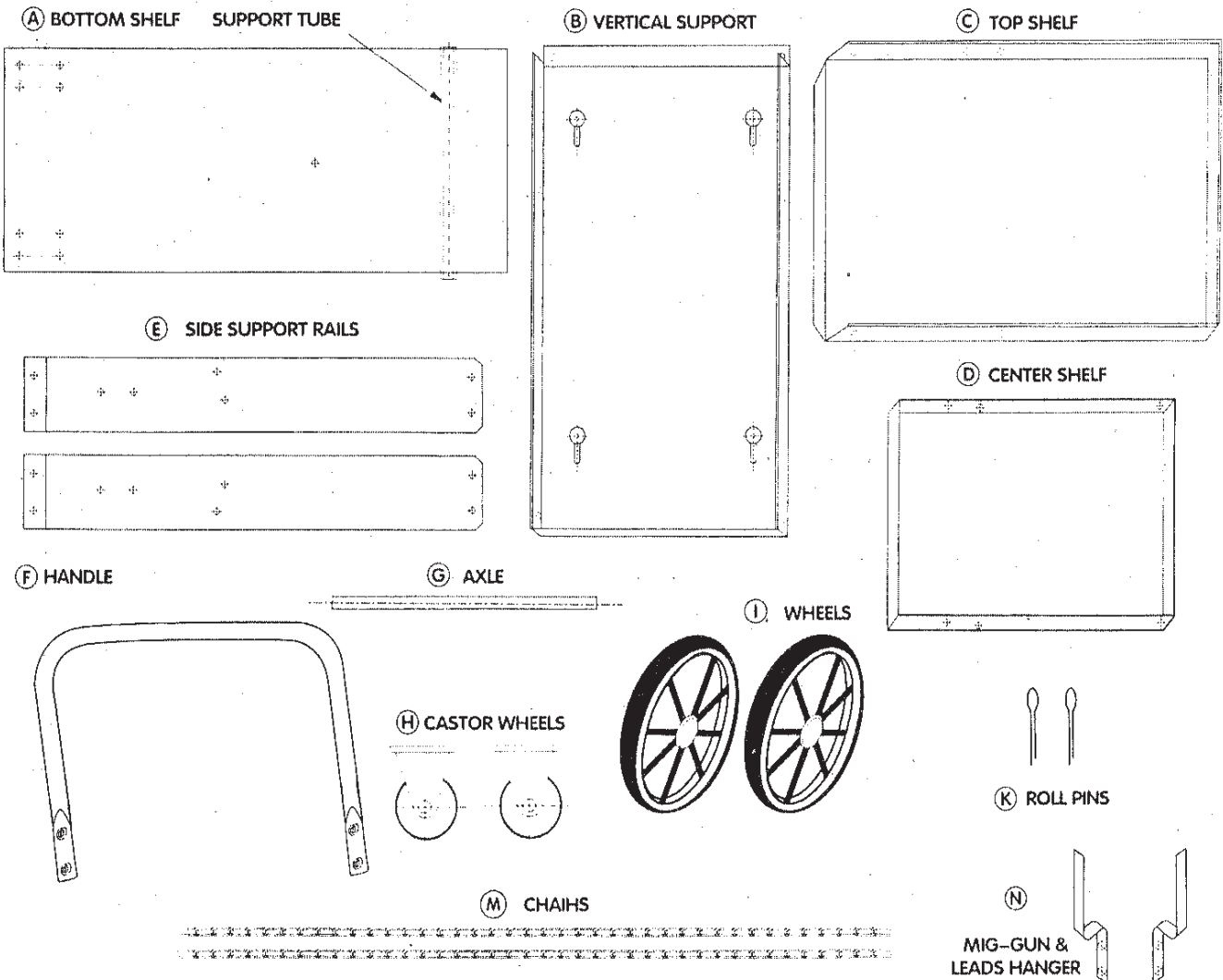
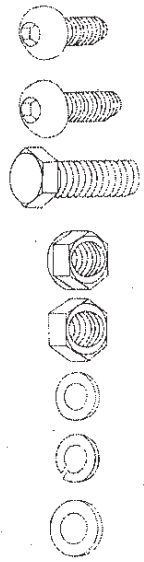
Parts List			Component List		
Legend	Item	Qty.	No.	Item	Qty.
(A)	Bottom Shelf	1 pc.	(S)	Bolt, 6 mm x 10 mm	31 pcs.
(B)	Vertical Support	1 pc.	(T)	Bolt, 6 mm x 13 mm	4 pcs.
(C)	Top Shelf	1 pc.	(U)	Bolt, 6 mm x 20 mm	4 pcs.
(D)	Center Shelf	1 pc.	(V)	Lock Nut – 6 mm	35 pcs.
(E)	Side Support Rails	2 pcs.	(W)	Hex Nut – 6 mm	4 pcs.
(F)	Handle	1 pc.	(X)	Flat Washer – 6 mm	8 pcs.
(G)	Axle	1 pc.	(Y)	Spring Washer – 6 mm	35 pcs.
(H)	Castor Wheels	2 pcs.	(Z)	Flat Washer – 12 mm	4 pcs.
(I)	Wheels	2 pcs.			
(K)	ROLL PINS	2 pcs.			
(M)	Chains	2 pcs.			
(N)	Gun/Leads Hanger	2 pcs.			
-	Hex Wrench (6 mm)	1 pc.			
-	Hex key (4 mm)	1 pc.			



HEX WRENCH (6 mm)



HEX KEY (4 mm)



# INSTRUCTIONS



## STEP 1

- i. Assemble two castor wheels (H) to the bottom shelf (A) using 4 bolts, 6mm x 10mm (S), lock washers (Y) and lock nuts (V).
- ii. Slide axle (G) through support the support tube on the bottom of the shelf (A). Insert flat washers (Z) on each end of the axle.
- iii. Insert Wheels (I) onto axle, then add another flat washer (Z) and, thereafter, insert lynch pins (K).

## STEP 2

- i. Attach vertical support (B) to the bottom shelf (A) using bolts 6x10mm (S), Spring washers (Y) and lock nuts (V).
- ii. Hand tighten all the Bolts & Nuts at this stage, to be fully tightened later

## STEP 3

- i. Attach the MIG / TIG Gun leads Hanger (N) upward and facing outward on each Side Support Rail using 2 Bolts 6 mm x 10 mm (S), lock Washers (Y) and Lock Nuts (V).
- ii. Fasten Side-support Rails (E) to the Bottom Shelf using Bolts 6 mm x 10 mm (S), Lock Washers (Y) and lock Nuts (V).
- iii. Attach the Centre Shelf (D) with Flanges facing upwards. Start by fastening Rear holes first and then the side holes using Bolts 6 mm x 10 mm (S), lock Washers (Y) and lock Nuts (V).

## STEP 4

- i. Fasten the Top Shelf (C) using the same procedure as attaching the Centre Shelf (D), as shown in **Step 3 (iii)**.

## STEP 5

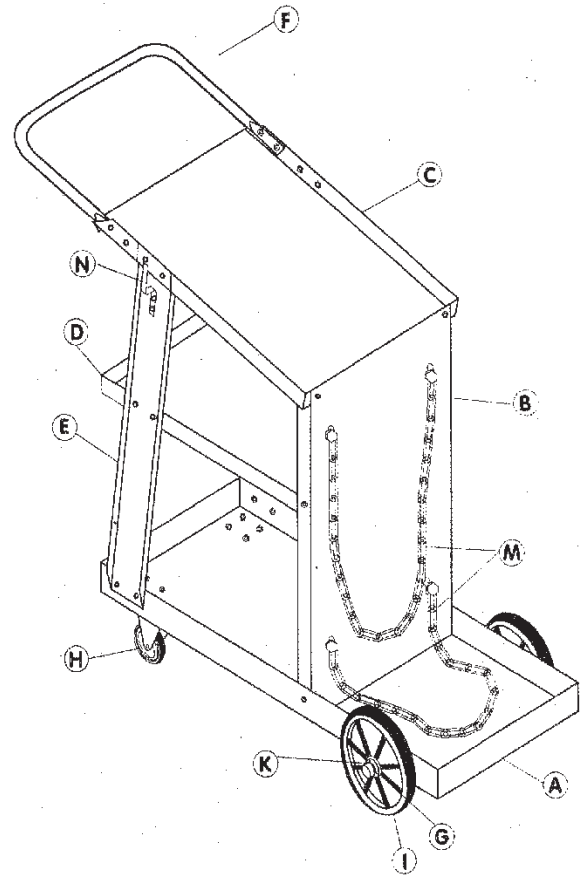
- i. Fit Handle (F) using 4 Bolts 6 mm x 13 mm (T), Lock Washers (Y) and Lock Nuts (V), to the Top Shelf (C).

## STEP 6

- i. Tighten all the Bolts securely with the Wrench, if left loose earlier.

## STEP 7

- i. Fasten the Top Shelf (C) using the same procedure as attaching the Centre Shelf (D), as shown in **Step 3 (iii)**



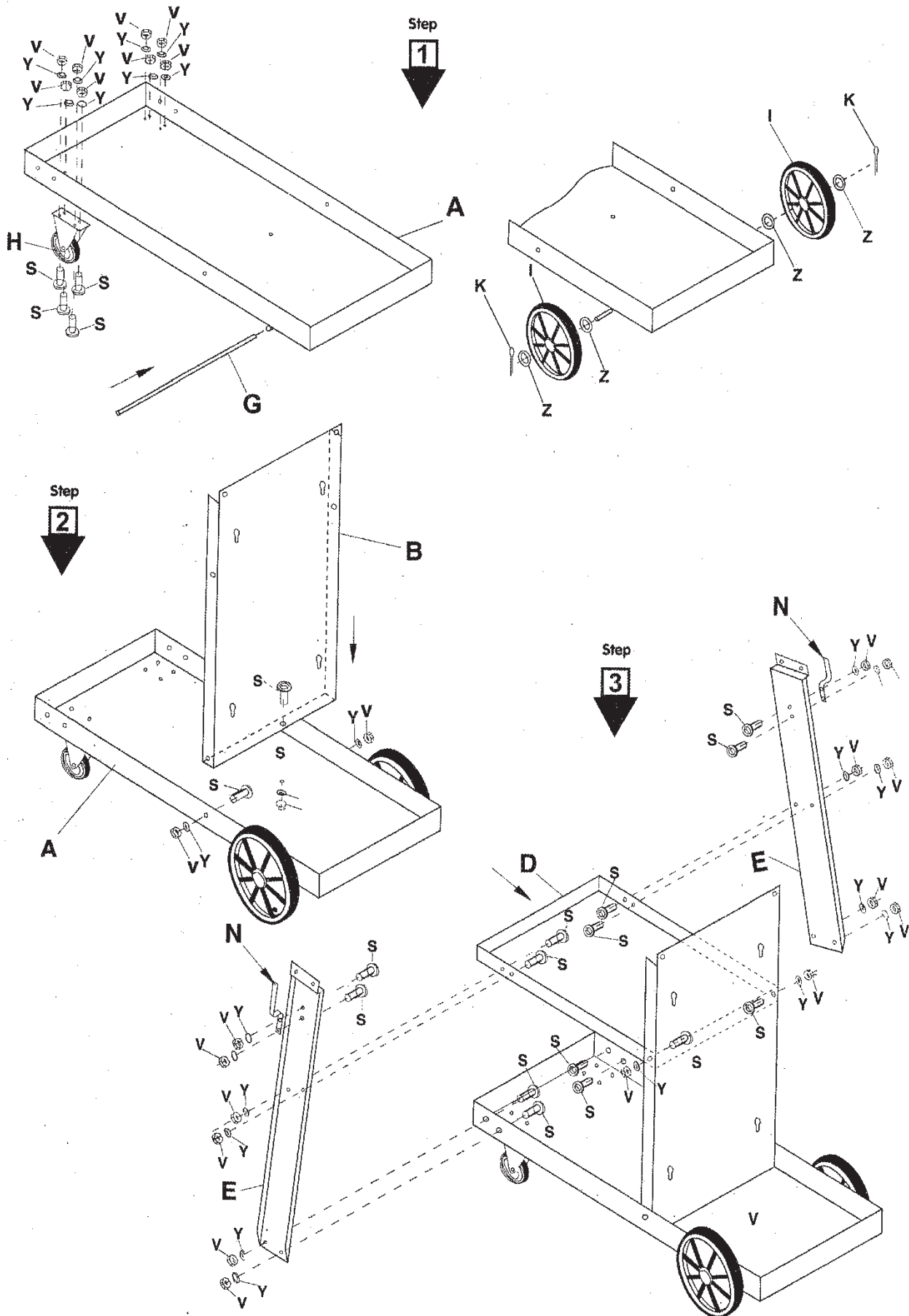
**Maximum Load Bearing Capacity (including Cylinder) not to exceed 57 kg**  
**Maximum Gas Cylinder Weight : 25 kg**



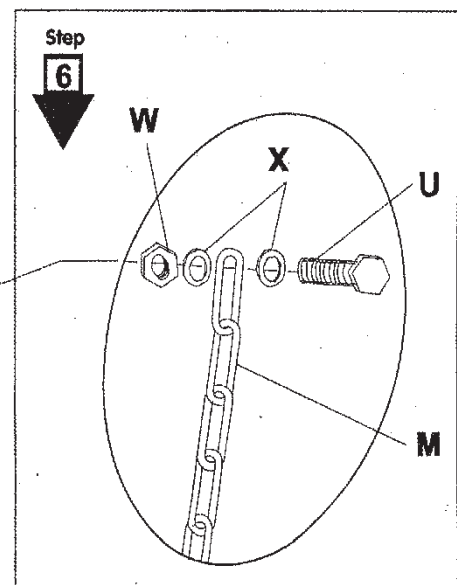
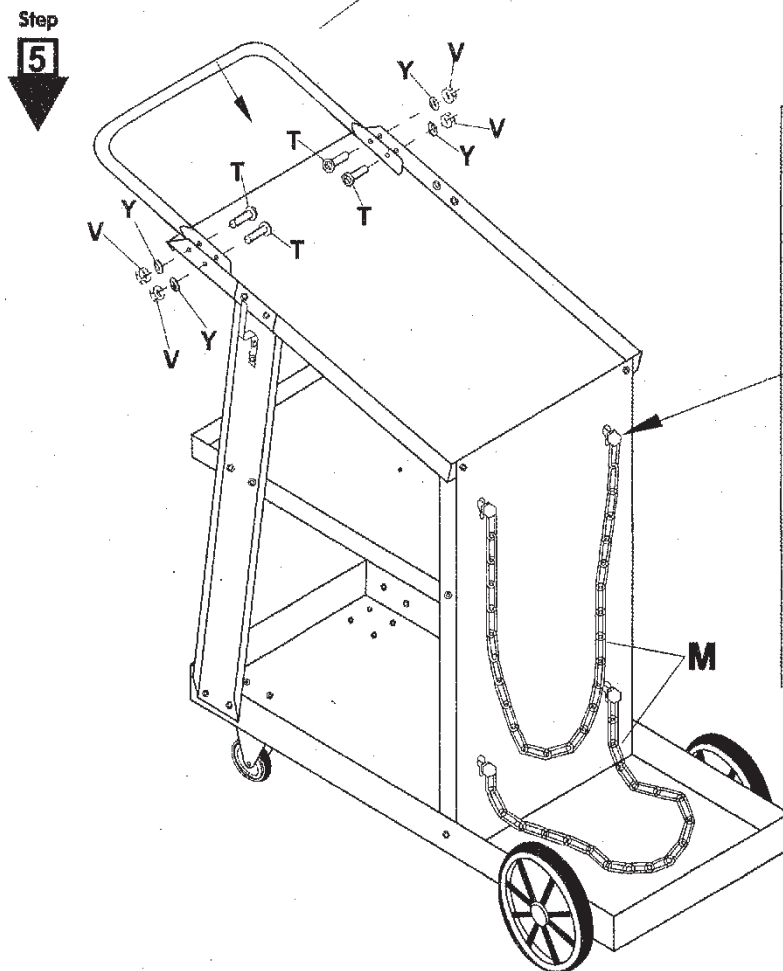
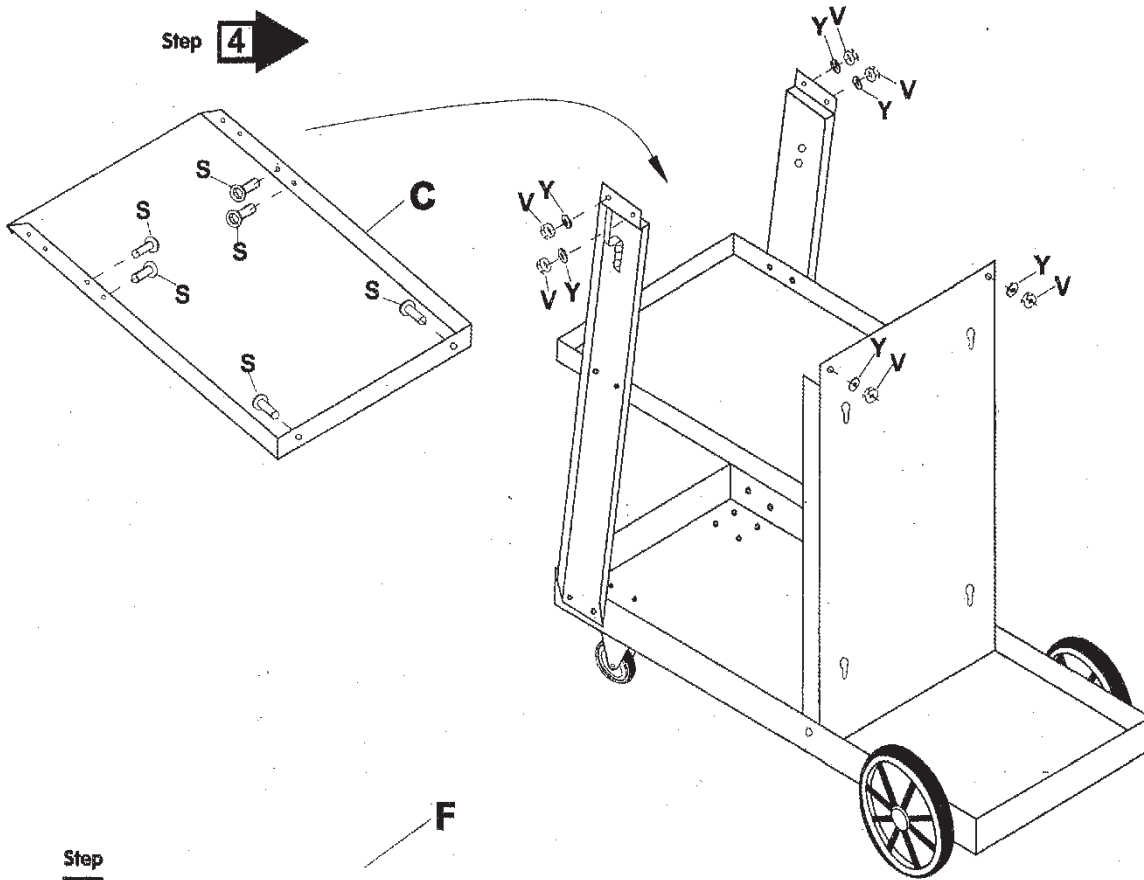
**SAFETY FIRST! FOR YOUR OWN PROTECTION READ, UNDERSTAND AND OBSERVE THESE SAFETY TIPS AND ALL INSTRUCTIONS BEFORE USING THIS PRODUCT!**

- Do not use trolley for the purpose it is not intended for. Keep visitors away. All visitors should be kept away from work area. Do not let visitors operate trolley. Childproof the trolley and work area. When not in use, the trolley should be stored in locked-up place.
- Always wear appropriate protective clothing and equipment. Do not wear loose clothing or jewellery. They can be caught in moving parts.
- Stay alert. Watch what you are doing. Use common sense. Do not operate when you are tired or under the influence of any medications, Be alert at all times, especially, during repetitive, monotonous operations.
- Do not over-reach. Keep proper footing and balance at all times.
- Before using, make sure all fasteners are tight and unit is assembled as per the attached instructions. Carefully check for any damaged parts before use to determine that the trolley will operate properly and perform its intended function. Check for alignment of moving parts, binding of moving parts, breakage of parts, mounting, and any other conditions that may affect its operation. Any part that is damaged should be properly repaired or replaced by an authorized service centre.
- Maintain trolley with care, Do not attempt to repair or disassemble the equipment while the trolley is in use. Do not alter or modify any part of this equipment. Inspect trolley periodically and if the trolley or any of its parts are damaged - have it repaired by an authorized service facility.
- Always keep your trolley Inspected and replace immediately, if damaged or worn. Trolley must only be repaired by qualified technicians.
- Always chain the Compressed Gas Cylinder securely with the chain provided. Never weld to the Compressed Gas Cylinder or the trolley.
- Always use trolley on level surface. Never park the trolley on an inclined surface. It may roll away and tip, causing damage. Compressed Gas Cylinder is extremely dangerous if it tips over.
- Always move the trolley by pushing or pulling on the trolley. Never pull the trolley around by the torch or work leads since the trolley might tip. Never use handle extensions to increase leverage.
- Failure to heed these Warnings may result in personal total Injury or property damage.
- Keep these Warnings intact and in readable condition. A new copy may be obtained from the manufacturer.

# INSTRUCTIONS



# INSTRUCTIONS





Esseti New Zealand Limited  
PO Box 4189, Palmerston North - 4442  
Phone: 06 355 1103  
Fax: (06) 354 2437  
Email: [sales@esseti.co.nz](mailto:sales@esseti.co.nz)  
[www.xcelarc.nz](http://www.xcelarc.nz)

 New Zealand Owned  [www.xcelarc.nz](http://www.xcelarc.nz)    @xcelarcnz