

# XCEL-ARC UNIVERSAL MACHINE TROLLEY WITH DRAWERS

Welding trolley suitable for portable welding machines.



**XA**  
XCEL-ARC

Please read and understand this instruction manual carefully  
before the installation and operation of this equipment.

XA-TRD

# CONTENTS



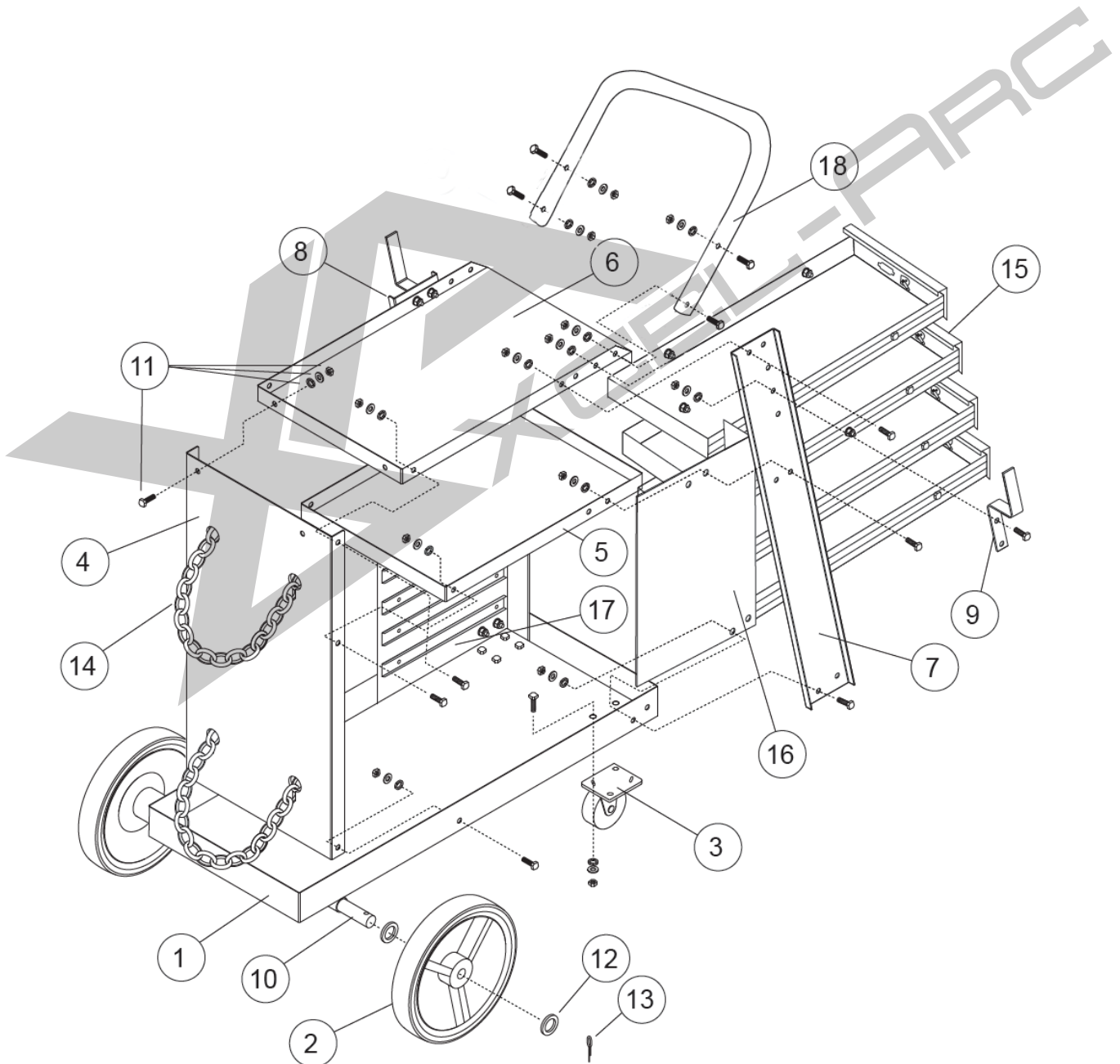
TROLLEY LAYOUT.....	3
INSTRUCTIONS.....	4
DIMENSIONS.....	5
SAFETY.....	6



# TROLLEY LAYOUT



Part	Description	Qty	Part	Description	Qty
1	Base	1	10	Axcel	1
2	Wheel	2	11	Bolt, Washer, Nut (set) M6x12	33
3	Swivel Caster	2	12	M12 Flat Washer	4
4	Back Panel	1	13	Spilt Pin	2
5	Middle Shelf	1	14	Chain	2
6	Top Shelf	1	15	Drawer	4
7	Left-Side Support Leg	1	16	Left Plate	1
8	Right-Side Support Leg	1	17	Right Plate	1
9	Hook	2	18	Handle	1



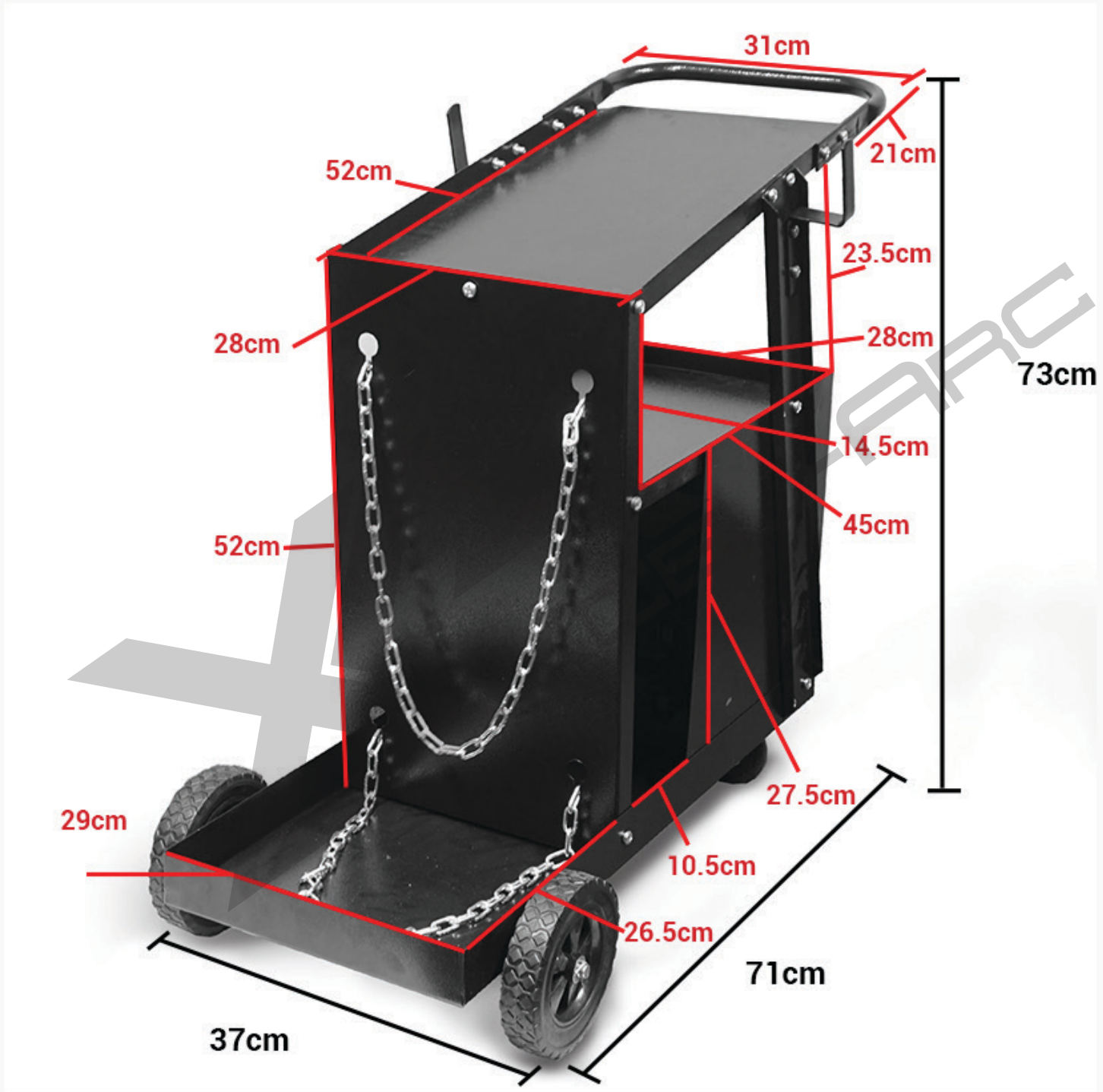
# INSTRUCTIONS



1. Install axle (10) to base (1), then on each side place a washer (12) then wheel (2) (wheel “spokes” facing out). Place another washer (12) on outside of wheel, then secure with split pin (13). Bend legs of split pins to prevent them falling out.
2. Attach casters (3) to base (1) using 8 M6 fastener sets (11).
3. Assemble rear panel (4) to base (1) using 2 M6 fastener sets (11).
4. Install the left-side drawer runner plate (16) and left-side support leg (7) to the base (1) using 2 M6 fastener sets (11). The drawer runner plate sits on the inside of the base, with support leg on outer side of base. Do not tighten the fasteners at this stage.
5. Install the right-side drawer runner plate (16) and right-side support leg (7) to the base (1) using 2 M6 fastener sets (11). The drawer runner plate sits on the inside of the base, with support leg on outer side of base. Do not tighten the fasteners at this stage.
6. Install the shelf (5) to the back panel (4) and to the left and right-side drawer runner plates and left and right-side support legs using 6 M6 fastener sets (11). The shelf sits in the inside of the drawer runner plates. Do not tighten the fasteners at this stage.
7. Install the welder tray (6) to the back panel (4) and to the left and right-side support legs using 8 M6 fastener sets (11). Tighten all fasteners installed in steps 4 to 7.
8. Insert the drawers (15) into the drawer runners. Do this gently and do not force the drawers. The lockable drawer must be at the top.
9. Attach the hooks (9) to the left and right-side support legs using 4 M6 fastener sets (11).



# DIMENSIONS





**SAFETY FIRST! FOR YOUR OWN PROTECTION READ, UNDERSTAND AND OBSERVE THESE SAFETY TIPS AND ALL INSTRUCTIONS BEFORE USING THIS PRODUCT!**

- Do not use trolley for the purpose it is not intended for. Keep visitors away. All visitors should be kept away from work area. Do not let visitors operate trolley. Childproof the trolley and work area. When not in use, the trolley should be stored in locked-up place.
- Always wear appropriate protective clothing and equipment. Do not wear loose clothing or jewellery. They can be caught in moving parts.
- Stay alert. Watch what you are doing. Use common sense. Do not operate when you are tired or under the influence of any medications, Be alert at all times, especially, during repetitive, monotonous operations.
- Do not over-reach. Keep proper footing and balance at all times.
- Before using, make sure all fasteners are tight and unit is assembled as per the attached instructions. Carefully check for any damaged parts before use to determine that the trolley will operate properly and perform its intended function. Check for alignment of moving parts, binding of moving parts, breakage of parts, mounting, and any other conditions that may affect its operation. Any part that is damaged should be properly repaired or replaced by an authorized service centre.
- Maintain trolley with care, Do not attempt to repair or disassemble the equipment while the trolley is in use. Do not alter or modify any part of this equipment. Inspect trolley periodically and if the trolley or any of its parts are damaged - have it repaired by an authorized service facility.
- Always keep your trolley inspected and replace immediately, if damaged or worn. Trolley must only be repaired by qualified technicians.
- Always chain the Compressed Gas Cylinder securely with the chain provided. Never weld to the Compressed Gas Cylinder or the trolley.
- Always use trolley on level surface. Never park the trolley on an inclined surface. It may roll away and tip, causing damage. Compressed Gas Cylinder is extremely dangerous if it tips over.
- Always move the trolley by pushing or pulling on the trolley. Never pull the trolley around by the torch or work leads since the trolley might tip. Never use handle extensions to increase leverage.
- Failure to heed these Warnings may result in personal total injury or property damage.
- Keep these Warnings intact and in readable condition. A new copy may be obtained from the manufacturer.





***Esseti New Zealand Limited***

PO Box 4189, Palmerston North - 4442

**Phone:** 06 355 1103

**Fax:** (06) 354 2437

**Email:** [sales@esseti.co.nz](mailto:sales@esseti.co.nz)

**[www.esseti.co.nz](http://www.esseti.co.nz)**